

M-670

Formerly Utilized Sites Remedial Action Program (FUSRAP)

ADMINISTRATIVE RECORD

for the Maywood Site, New Jersey



**US Army Corps
of Engineers®**

HEALTH AND SAFETY RESEARCH DIVISION

Waste Management Research and Development Programs
(Activity No. AH 10 05 00 0; NEAH001)

**RESULTS OF THE RADIOLOGICAL
SURVEY AT 12 LONG VALLEY ROAD, LODI,
NEW JERSEY (LJ054)**

R. D. Foley, L. M. Floyd, and R. F. Carrier

Date Published - November 1989

Investigation Team

R. E. Swaja - Measurement Applications and Development Manager
W. D. Cottrell - FUSRAP Project Director
R. W. Doane* - Field Survey Supervisor

Survey Team Members

A. C. Butler*	C. A. Johnson
K. S. Dickerson	C. A. Muhr
B. S. Ellis*	E. M. Pilz
D. S. Foster	W. H. Shinpaugh†
D. W. Greene	W. Winton

*Former Employee of Martin Marietta Energy Systems, Inc.
†Stone Associates

Work performed by the
MEASUREMENT APPLICATIONS AND DEVELOPMENT GROUP

Prepared by the
OAK RIDGE NATIONAL LABORATORY
Oak Ridge, Tennessee 37831-6285
operated by
MARTIN MARIETTA ENERGY SYSTEMS, INC.
for the
U. S. DEPARTMENT OF ENERGY
under contract DE-AC05-84OR21400

CONTENTS

LIST OF FIGURES	v
LIST OF TABLES	vii
ACKNOWLEDGMENTS	ix
ABSTRACT	xi
INTRODUCTION	1
SURVEY METHODS	2
SURVEY RESULTS	2
Surface Gamma Radiation Levels	3
Systematic and Biased Soil Samples	3
Auger Hole Soil Samples and Gamma Logging	3
SIGNIFICANCE OF FINDINGS	4
REFERENCES	4

LIST OF FIGURES

1	Gamma radiation levels ($\mu\text{R}/\text{h}$) measured on the surface at 12 Long Valley Road, Lodi, New Jersey (LJ054)	5
2	Diagram showing locations of soil samples taken at 12 Long Valley Road, Lodi, New Jersey (LJ054)	6
3	Gamma profile for auger hole 1 (LJ054A1) at 12 Long Valley Road, Lodi, New Jersey	7
4	Gamma profile for auger hole 2 (LJ054A2) at 12 Long Valley Road, Lodi, New Jersey	8
5	Gamma profile for auger hole 3 (LJ054A3) at 12 Long Valley Road, Lodi, New Jersey	9
6	Gamma profile for auger hole 4 (LJ054A4) at 12 Long Valley Road, Lodi, New Jersey	10

LIST OF TABLES

1	Applicable guidelines for protection against radiation	11
2	Background radiation levels in soil from the northern New Jersey area	11
3	Concentrations of radionuclides in soil at 12 Long Valley Road, Lodi, New Jersey (LJ054)	12

ACKNOWLEDGMENTS

Research for this project was sponsored by the Division of Facility and Site Decommissioning Projects, U.S. Department of Energy, under contract DE-AC05-84OR21400 with Martin Marietta Energy Systems, Inc. The authors wish to acknowledge the support of J. E. Baublitz, Acting Director, Office of Remedial Action and Waste Technology; J. J. Fiore, Director, Division of Facility and Site Decommissioning Projects; and members of their staffs. The authors also appreciate the contributions of J. L. Rich, S. W. Hawthorne, and L. J. Jeffers of the Publications Division; M. S. Uziel of the Environmental Remediation Group; T. R. Stewart of the Measurement Applications and Development Group; A. C. Butler, R. W. Doane, and B. S. Ellis, former employees of Martin Marietta Energy Systems, Inc.; and W. H. Shinpaugh of Don Stone Associates for participation in the collection, analyses, editing, and reporting of data for this survey.

ABSTRACT

Maywood Chemical Works (MCW) of Maywood, New Jersey, generated process wastes and residues associated with the production and refining of thorium and thorium compounds from monazite ores from 1916 to 1956. MCW supplied rare earth metals and thorium compounds to the Atomic Energy Commission and various other government agencies from the late 1940s to the mid-1950s. Area residents used the sandlike waste from this thorium extraction process mixed with tea and cocoa leaves as mulch in their yards. Some of these contaminated wastes were also eroded from the site into Lodi Brook. At the request of the U.S. Department of Energy (DOE), a group from Oak Ridge National Laboratory conducts investigative radiological surveys of properties in the vicinity of MCW to determine whether a property is contaminated with radioactive residues, principally ^{232}Th , derived from the MCW site. The survey typically includes direct measurement of gamma radiation levels and soil sampling for radionuclide analyses. The survey of this site, 12 Long Valley Road, Lodi, New Jersey (LJ054), was conducted during 1985 and 1986.

Results of the survey demonstrated no radionuclide concentrations in excess of the DOE Formerly Utilized Sites Remedial Action Program criteria. The radionuclide distributions were not significantly different from normal background levels in the northern New Jersey area.

RESULTS OF THE RADIOLOGICAL SURVEY AT 12 LONG VALLEY ROAD, LODI, NEW JERSEY (LJ054)*

INTRODUCTION

From 1916 to 1956, process wastes and residues associated with the production and refining of thorium and thorium compounds from monazite ores were generated by the Maywood Chemical Works (MCW), Maywood, New Jersey. During the latter part of this period, MCW supplied rare earth metals and thorium compounds to various government agencies. In the 1940s and 1950s, MCW produced thorium and lithium, under contract, for the Atomic Energy Commission (AEC). These activities ceased in 1956, and, approximately three years later, the 30-acre real estate was purchased by the Stepan Company. The property is located at 100 Hunter Avenue in a highly developed area in Maywood and Rochelle Park, Bergen County, New Jersey.

During the early years of operation, MCW stored wastes and residues in low-lying areas west of the processing facilities. In the early 1930s, these areas were separated from the rest of the property by the construction of New Jersey State Highway 17. The Stepan property, the interim storage facility, and several vicinity properties have been designated for remedial action by the U.S. Department of Energy (DOE).

The waste produced by the thorium extraction process was a sandlike material containing residual amounts of thorium and its decay products, with smaller quantities of uranium and its decay products. During the years 1928 and 1944 to 1946, area residents used these process wastes mixed with tea and cocoa leaves as mulch in their lawns and gardens. In addition, some of the contaminated wastes were apparently eroded from the site into Lodi Brook and carried downstream.

Lodi Brook is a small stream flowing south from Maywood with its headwaters near the Stepan waste storage site. Approximately 150 ft after passing under State Route 17, the stream has been diverted underground through concrete or steel culverts until it merges with the Saddle River in Lodi, New Jersey. Only a small section near Interstate 80 remains uncovered. From the 1940s to the 1970s when the stream was being diverted underground, its course was altered several times. Some of these changes resulted in the movement of contaminated soil to the surface of a few properties, where it is still in evidence. In other instances, the contaminated soil was covered over or mixed with clean fill, leaving no immediate evidence on the surface. Therefore, properties in question may be drilled in search of former streambed material, even in the absence of surface contamination.

As a result of the Energy and Water Appropriations Act of Fiscal Year 1984, the property discussed in this report and properties in its vicinity contaminated with residues from the former MCW were included as a decontamination research

*The survey was performed by members of the Measurement Applications and Development Group of the Health and Safety Research Division at Oak Ridge National Laboratory under DOE contract DE-AC05-84OR21400.

and development project under the DOE Formerly Utilized Sites Remedial Action Program. As part of this project, DOE is conducting radiological surveys in the vicinity of the site to identify properties contaminated with residues derived from the MCW. The principal radionuclide of concern is thorium-232. The radiological surveys discussed in this report are part of that effort and were conducted, at the request of DOE, by members of the Measurement Applications and Development Group of the Oak Ridge National Laboratory.

A radiological survey of the private, residential property at 12 Long Valley Road, Lodi, New Jersey, was conducted during 1985 and 1986. The survey and sampling of the ground surface were carried out on October 25, 1985, and the follow-up subsurface investigation was performed on September 18, 1986.

SURVEY METHODS

The radiological survey of the property included: (1) a gamma scan of the entire property outdoors, (2) collection of surface and subsurface soil samples, and (3) gamma profiles of auger holes. No indoor survey measurements were performed.

Using a portable gamma scintillation meter, ranges of measurements were recorded for areas of the property surface. If the gamma readings were elevated, a biased soil sample was taken at the point showing the highest gamma radiation level. Systematic soil samples were taken at various locations on the property, irrespective of gamma radiation levels.

To define the extent of possible subsurface soil contamination, auger holes were drilled to depths of approximately 1.8 m. A plastic pipe was placed in each hole, and a NaI scintillation probe was lowered inside the pipe. The probe was encased in a lead shield with a horizontal row of collimating slits on the side. This collimation allows measurement of gamma radiation intensities resulting from contamination within small fractions of the hole depth. Measurements were usually made at 15- or 30-cm intervals. If the gamma readings in the hole were elevated, a soil sample was scraped from the wall of the auger hole at the point showing the highest gamma radiation level. The auger hole loggings were used to select locations where further soil sampling would be useful. A split-spoon sampler was used to collect subsurface samples at known depths. In some auger holes, a combination of split-spoon sampling and side-wall scraping was used to collect samples. These survey methods followed the plan outlined in Reference 1. A comprehensive description of the survey methods and instrumentation has been presented in another report.²

SURVEY RESULTS

Applicable federal guidelines are summarized in Table 1.³ The normal background radiation levels for the northern New Jersey area are presented in Table 2.⁴ These data are provided for comparison with survey results presented in this report. All direct measurement results presented in this report are gross readings; background radiation levels have not been subtracted. Similarly, background con-

centrations have not been subtracted from radionuclide concentrations measured in environmental samples.

Surface Gamma Radiation Levels

Gamma radiation levels measured during a gamma scan of the surface of the property are given in Fig. 1. Gamma exposure rates over the major portion of the property ranged from 4 to 13 $\mu\text{R}/\text{h}$. The highest gamma levels were from two isolated spots ($<1 \text{ m}^2$) on the northern side of the backyard, each measuring 15 $\mu\text{R}/\text{h}$ and from the garden on the southern side of the house, ranging from 11 to 15 $\mu\text{R}/\text{h}$.

Systematic and Biased Soil Samples

Systematic and biased soil samples were taken from various locations on the property for radionuclide analyses. Locations of the systematic (S) and biased (B) samples are shown in Fig. 2, with results of laboratory analyses provided in Table 3. Concentrations of radium, thorium, and uranium in these samples ranged from 0.76 to 4.0 pCi/g, 0.95 to 4.2 pCi/g, and 0.80 to 3.9 pCi/g, respectively. Biased samples were elevated above average background levels for the northern New Jersey area (Table 2). These samples were taken from an area of the backyard which had a layer of white ash-like material approximately four inches under the top soil. Results of analyses for these samples correspond to the findings of similar samples of white ash taken in the Lodi/Maywood area. The elevated concentrations are due to naturally occurring radionuclides found in coal. Coal when burnt produces a white ash, similar to that found on this property. All samples were below DOE guidelines (Table 1).

Auger Hole Soil Samples and Gamma Logging

Varying thicknesses of subsurface soil were sampled from depths of 30 to 185 cm in auger holes (A) drilled at four separate locations indicated in Fig. 2. The results of analyses of these samples are given in Table 3. Concentrations of ^{226}Ra and ^{232}Th in these auger soil samples ranged from 0.63 to 0.79 pCi/g and 0.68 to 0.93 pCi/g, respectively; all values were at or below background levels and below DOE criteria (Table 1) for radium and thorium.

Gamma logging was performed in each of the auger holes to characterize and further define the extent of possible contamination. The logging technique used here is not radionuclide specific. However, logging data, in conjunction with soil analyses data, may be used to estimate regions of elevated radionuclide concentrations in auger holes when compared with background levels for the area. Following a comparison of these data, it appears that any shielded scintillator readings of 1000 counts per minute (cpm) or greater generally indicate the presence of elevated concentrations of ^{226}Ra and/or ^{232}Th . Data from the gamma profiles of the logged auger holes are graphically represented in Figs. 3 through 6. All readings were below 1000 cpm.

SIGNIFICANCE OF FINDINGS

Measurements and results of soil sample analyses taken at 12 Long Valley Road indicate that the property contained no radionuclide concentrations above DOE guideline values. The radionuclide distributions on this property were similar to or slightly above normal background levels for the northern New Jersey area. This slight elevation in radionuclide concentrations is typical of the naturally occurring radioactive substances present in bricks, concrete, granite, and other such materials used in paving and building construction, as well as in coal.

REFERENCES

1. W. D. Cottrell, ORNL, to A. J. Whitman, DOE/HQ, correspondence, "Radiological Survey of Private Properties in Lodi, New Jersey" (August 15, 1984).
2. T. E. Myrick, B. A. Berven, W. D. Cottrell, W. A. Goldsmith, and F. F. Haywood, *Procedures Manual for the ORNL Radiological Survey Activities (RASA) Program*, Oak Ridge National Laboratory, ORNL/TM-8600 (April 1987).
3. U.S. Department of Energy, *Guidelines for Residual Radioactive Material at Formerly Utilized Sites Remedial Action Program and Remote Surplus Facilities Management Program Sites* (Rev. 2, March 1987).
4. T. E. Myrick, B. A. Berven, and F. F. Haywood, *State Background Radiation Levels: Results of Measurements Taken During 1975-1979*, Oak Ridge National Laboratory, ORNL/TM-7343 (November 1981).

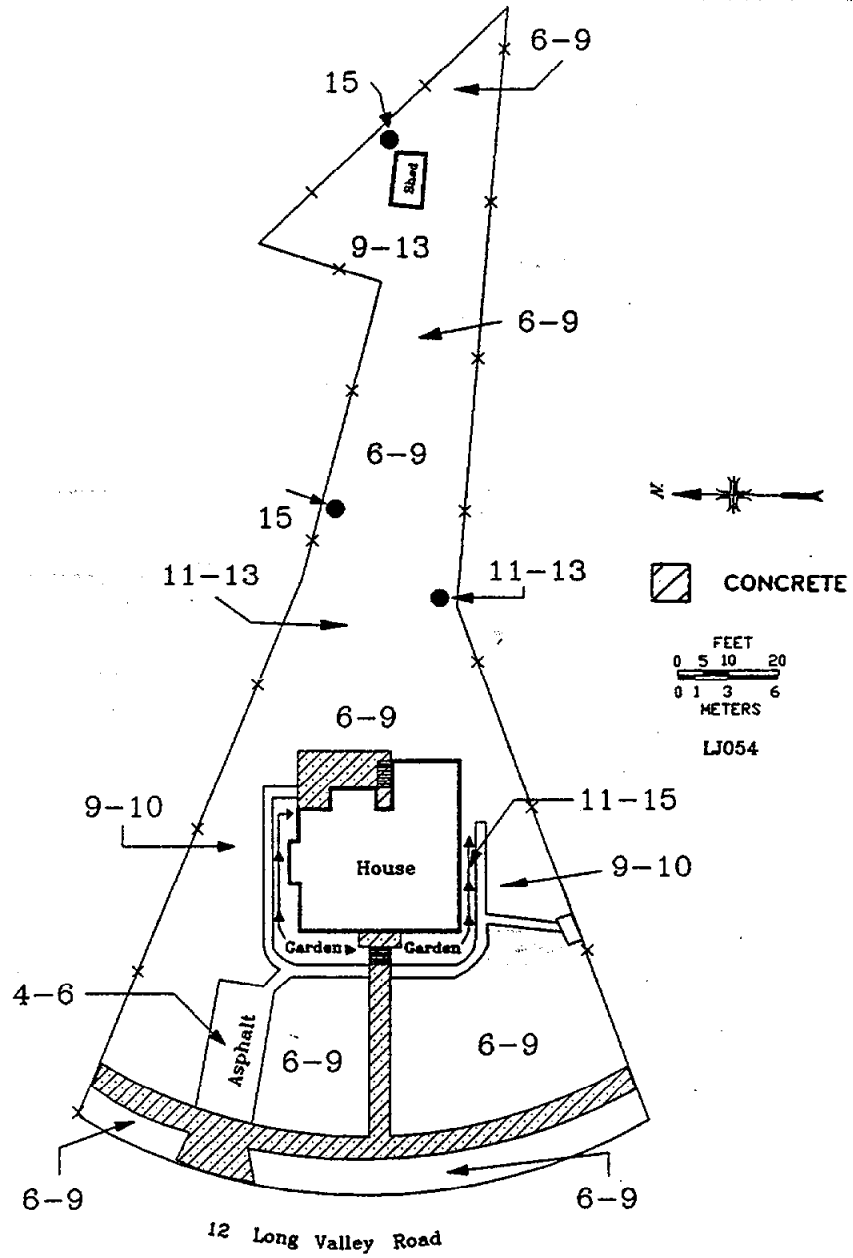


Fig. 1. Gamma radiation levels ($\mu\text{R/h}$) measured on the surface at 12 Long Valley Road, Lodi, New Jersey (LJ054).

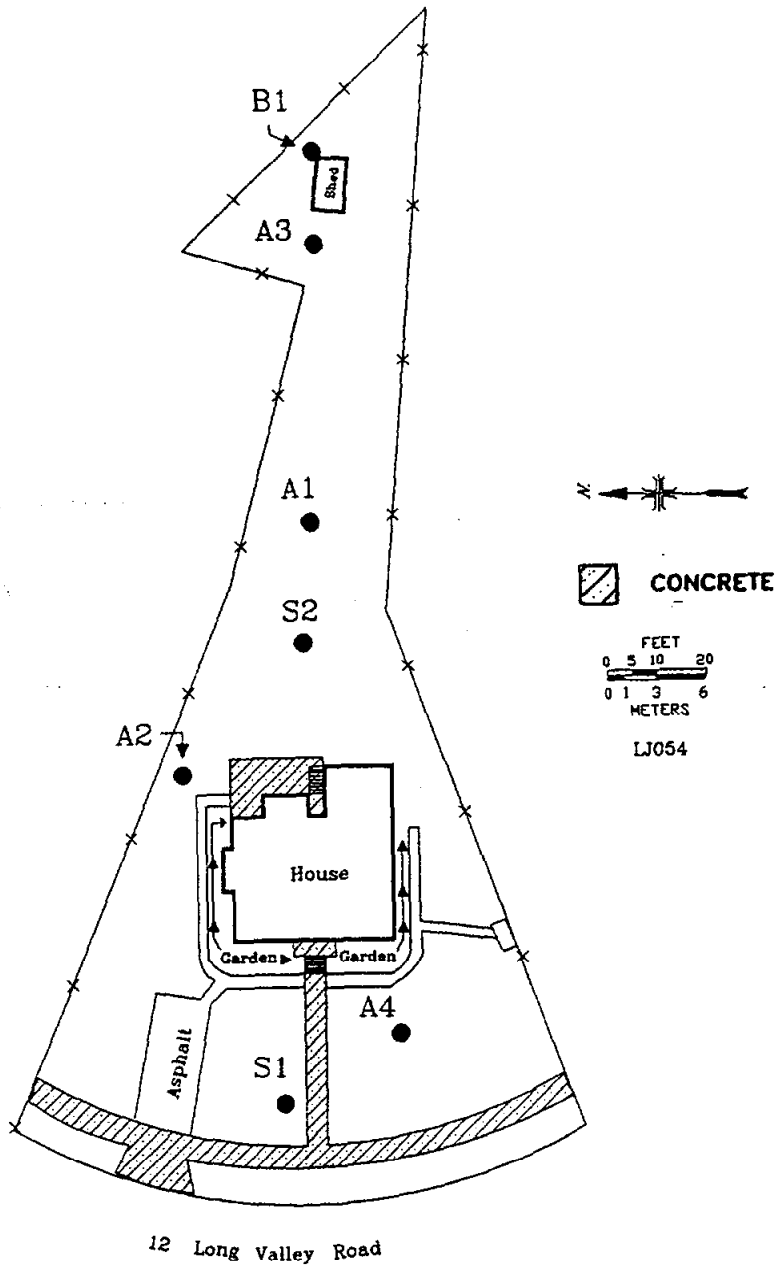


Fig. 2. Diagram showing locations of soil samples taken at 12 Long Valley Road, Lodi, New Jersey (LJ054).

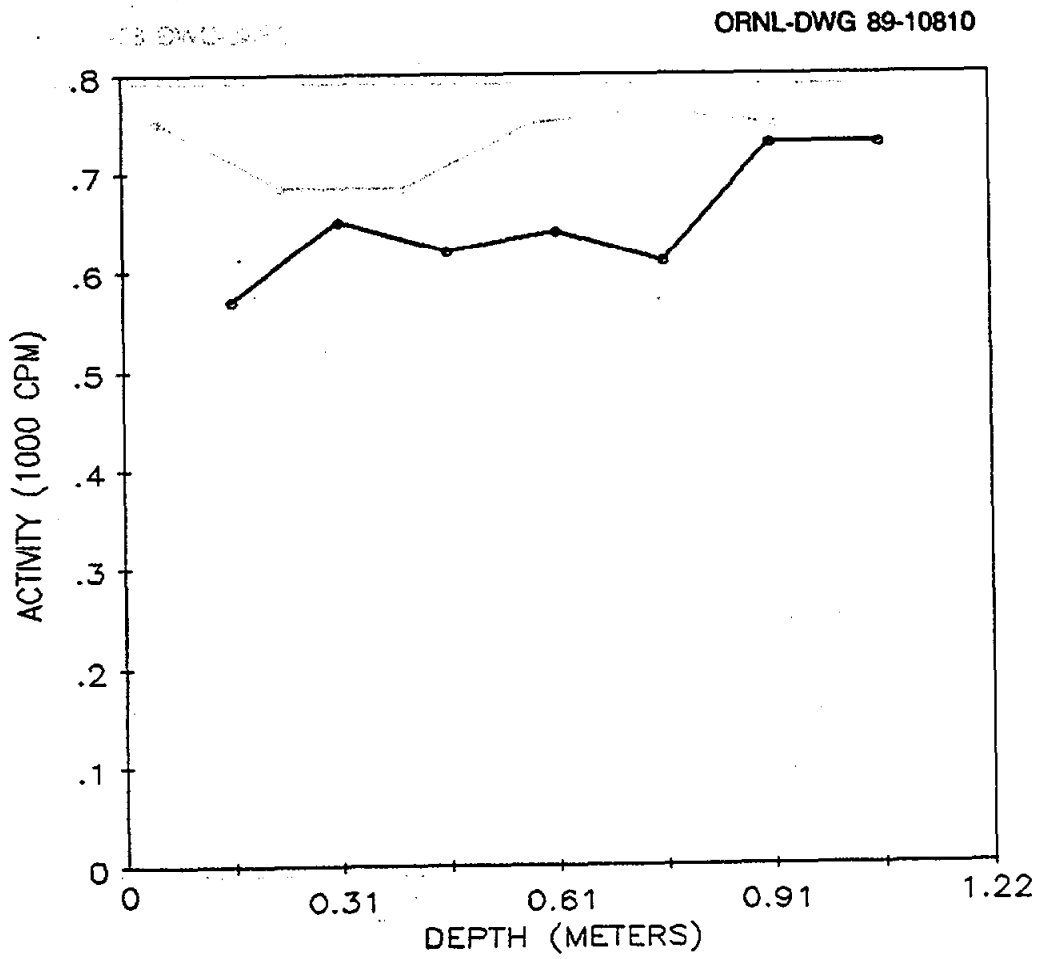


Fig. 3. Gamma profile for auger hole 1 (LJ054A1) at 12 Long Valley Road, Lodi, New Jersey.

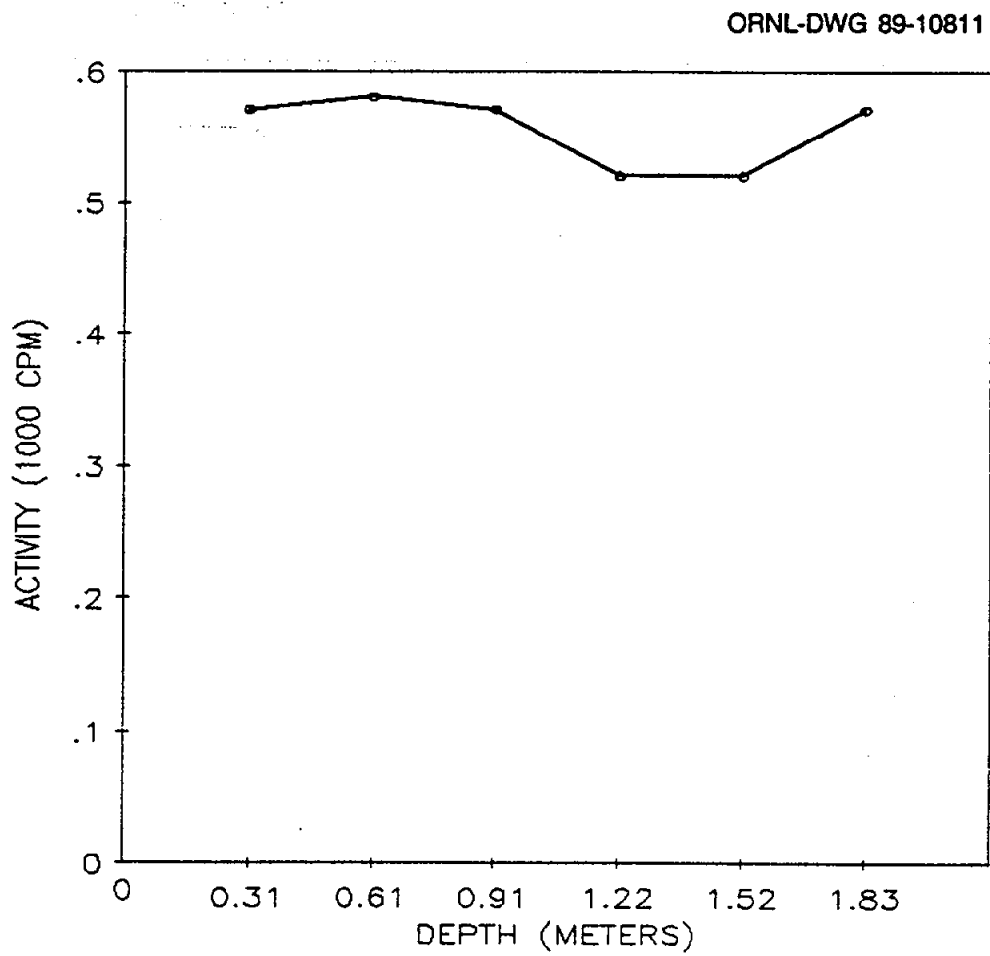


Fig. 4. Gamma profile for auger hole 2 (LJ054A2) at 12 Long Valley Road, Lodi, New Jersey.

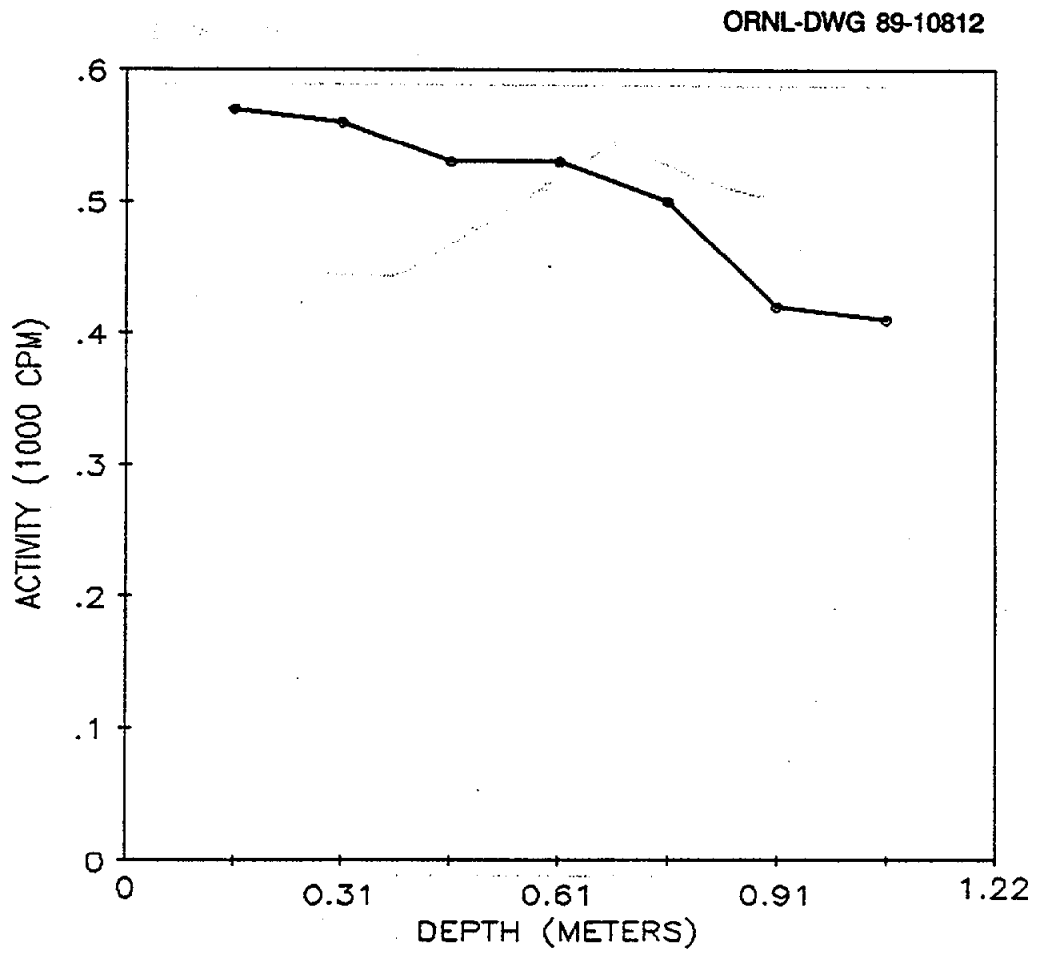


Fig. 5. Gamma profile for auger hole 3 (LJ054A3) at 12 Long Valley Road, Lodi, New Jersey.

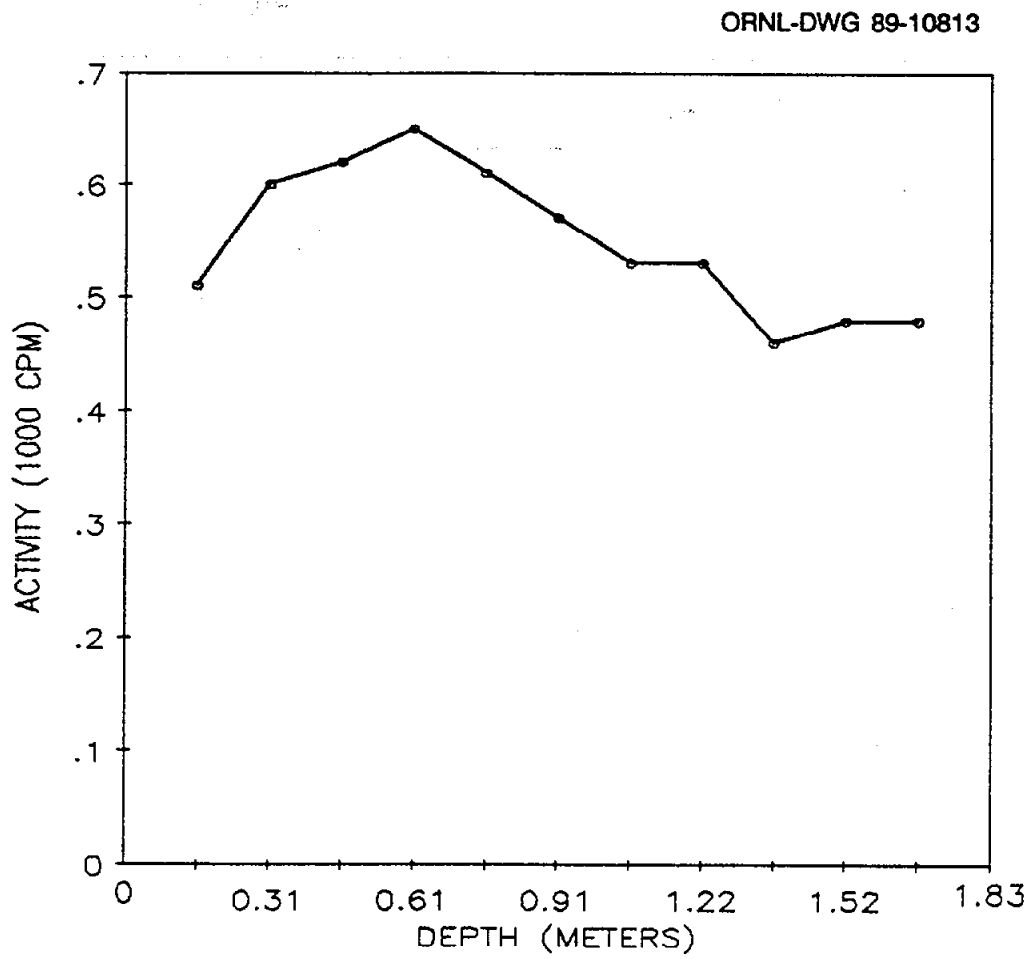


Fig. 6. Gamma profile for auger hole 4 (LJ054A4) at 12 Long Valley Road, Lodi, New Jersey.

Table 1. Applicable guidelines for protection against radiation^a

Mode of exposure	Exposure conditions	Guideline value
Radionuclide concentrations in soil	Maximum permissible concentration of the following radionuclides in soil above background levels averaged over 100 m ² area ²³² Th ²³⁰ Th ²²⁸ Ra ²²⁶ Ra ²³⁸ U	5 pCi/g averaged over the first 15-cm of soil below the surface; 15 pCi/g when averaged over 15-cm thick soil layers more than 15 cm below the surface Derived (site specific)

^aReference 3.

Table 2. Background radiation levels in soil from the northern New Jersey area

Radionuclide	Concentration (pCi/g) ^a
²²⁶ Ra	0.9 ^b
²³² Th	0.9 ^b
²³⁸ U	0.9 ^b

^aThese values represent an average of normal radionuclide concentrations in this part of the state. Actual values may fluctuate.

^bReference 4.

**Table 3. Concentrations of radionuclides in soil at
12 Long Valley Road, Lodi, New Jersey (LJ054)**

Sample ^a	Depth (cm)	Radionuclide concentration (pCi/g)		
		²²⁶ Ra ^b	²³² Th ^b	²³⁸ U ^c
<i>Systematic samples^d</i>				
S1	0-15	0.82 ± 0.1	0.95 ± 0.3	0.87
S2	0-15	0.76 ± 0.08	1.1 ± 0.2	0.80
<i>Biased samples^e</i>				
B1A	0-15	4.0 ± 0.5	4.2 ± 0.6	3.9
B1B	15-30	1.1 ± 0.1	1.2 ± 0.7	1.1
<i>Auger samples^f</i>				
A1	60-90	0.69 ± 0.2	0.68 ± 0.2	g
A2A	30-60	0.66 ± 0.02	0.72 ± 0.05	g
A2B	60-90	0.63 ± 0.1	0.82 ± 0.09	g
A3A	60-90	0.79 ± 0.1	0.93 ± 0.2	g
A3B	120-150	0.68 ± 0.07	0.88 ± 0.3	g
A3C	150-185	0.66 ± 0.05	0.81 ± 0.3	g
A4A	30-60	0.69 ± 0.1	0.84 ± 0.07	g
A4B	60-90	0.69 ± 0.04	0.81 ± 0.1	g

^aLocations of soil samples are shown on Fig. 2.

^bIndicated counting error is at the 95% confidence level ($\pm 2\sigma$).

^cTotal analytical error of measurement results is less than $\pm 5\%$ (95% confidence level).

^dSystematic samples are taken at locations irrespective of gamma exposure rates.

^eBiased samples are taken from areas shown to have elevated gamma exposure rates.

^fAuger samples are taken from holes drilled to further define the depth and extent of radioactive material. Holes are drilled where the surface may or may not be contaminated.

^gSample was not analyzed for ²³⁸U.

INTERNAL DISTRIBUTION

- | | |
|-------------------|------------------------------|
| 1. B. A. Berven | 13. P. Y. Lu |
| 2. R. F. Carrier | 14. P. T. Owen |
| 3. W. D. Cottrell | 15-17. R. E. Swaja |
| 4. A. G. Croff | 18. J. K. Williams |
| 5. J. W. Crutcher | 19. Central Research Library |
| 6. L. M. Floyd | 20. IR&A Publications Office |
| 7-11. R. D. Foley | 21. Laboratory Records - RC |
| 12. S. V. Kaye | 22. Y-12 Technical Library |

EXTERNAL DISTRIBUTION

23. J. D. Berger, Oak Ridge Associated Universities, P.O. Box 117, Oak Ridge, TN 37831
24. R. W. Doane, Eberline, Inc., 800 Oak Ridge Turnpike, P.O. Box 350, Oak Ridge, Tn 37831
25. J. J. Fiore, U.S. Department of Energy, 19901 Germantown Road, Germantown, MD 20874
- 26-28. G. K. Hovey, Bechtel National, Inc., 800 Oak Ridge Turnpike, P.O. Box 350, Oak Ridge, TN 37831
29. L. R. Levis, Roy F. Weston, Inc., 20030 Century Blvd., Germantown, MD 20874
30. G. P. Turi, U.S. Department of Energy, 19901 Germantown Road, Germantown, MD 20874
31. J. W. Wagoner, U.S. Department of Energy, 19901 Germantown Road, Germantown, MD 20874
- 32-34. Andrew Wallo III, U.S. Department of Energy, 19901 Germantown Road, Germantown, MD 20874
35. Office of Assistant Manager, Energy Research and Development, Oak Ridge Operations Office, P.O. Box 2001, Oak Ridge, TN 37831-8600
- 36-37. Office of Scientific and Technical Information, DOE, P.O. Box 62, Oak Ridge, TN 37831